

andrew harris woodwork

Grilling Table



andrew harris woodwork

Introduction

This plan makes a table 47 inches wide, 22 inches deep and 36 inches high with the top added.

All my builds are made with pocket hole joinery. You will need a pocket hole jig tool such as a Kreg Pocket Hole Jig in order to build them.



I have tried to ensure all steps are covered in these plans but if you find any errors in the plans or have a question then please email me at info@andrewharriswoodwork.com to let me know.

andrew harris woodwork

Shopping List

Size	Length	Quantity	Board Number
1 by 4	8 ft	8	1 to 8
1 by 6	8 ft	2	9 and 10

You will also need:

- Pocket Hole Tool such as a Kreg Pocket Hole Jig
- 1.25 inch blue-cote external use pocket screws
- 1.25 inch external use wood screws
- Wood glue

Estimated Material Cost: \$75.00

andrew harris woodwork

Cut list

Please read all instructions before cutting wood as shown below. I suggest some pieces are cut as you go to ensure a tight fit.

To minimize the number of boards to use plan your cuts I have given details of which board you should cut the piece from. If you find a more economical solution then please let me know.

Size	Length (inches)	Quantity	Used For	Board Number
1 by 4	35.25	8	Legs	Two from each of boards 1 to 4
1 by 4	38	2	Top rails for front and back	5
1 by 4	42	2	Bottom Rails for front and back	6
1 by 4	11.5	2	Top rails for sides	3
1 by 4	18.5	2	Bottom rails for sides	One from board 1 and one from board 2
1 by 4	17	11	Shelf slats	One from board, one from board 5 and the rest from boards 7 and 8
1 by 6	36	4	Top	Two from board 9 and two from board 10
1 by 6	226	2	Top	One from board 9 and one from board 10

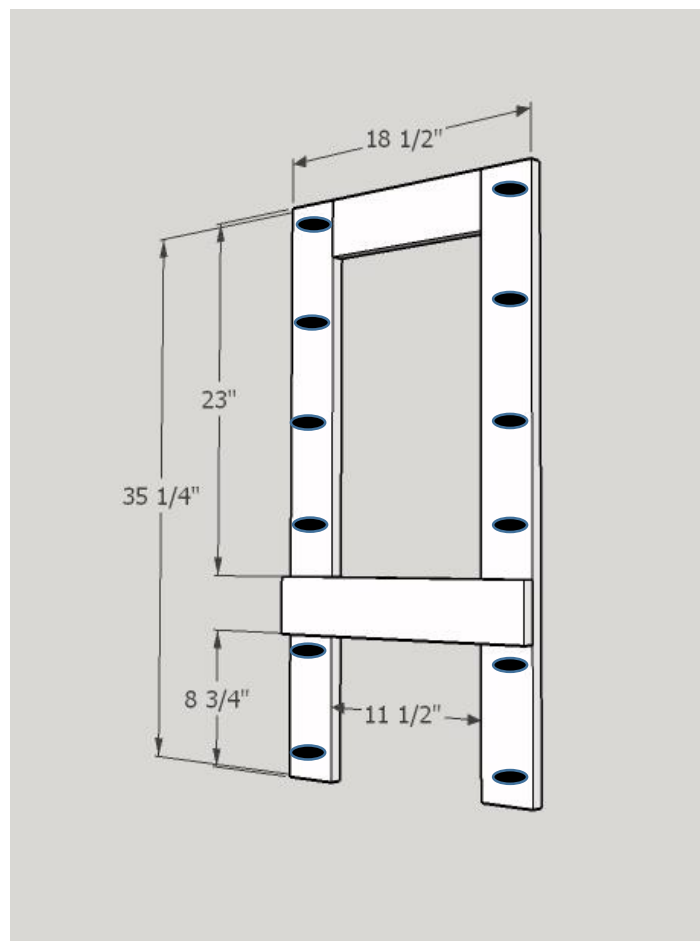
andrew harris woodwork

Step 1 – Make the two Sides

Use the following pieces of 1 by 4 to make each side. Two pieces measuring 35 ¼ inches long, one piece 11 ½ inches long, one piece 18.5 inches long.

Put the pocket holes on the short edges of the 11 ½ inch piece. The 18 ½ inch piece will be fixed using 1 ¼ inch wood screws. Screw through the 18 ½ inch piece in to the legs to make sure the screw head is hidden once the table is assembled.

Also drill pocket holes on the outside edges of the legs as shown below for fixing the sides to the front and back frames.

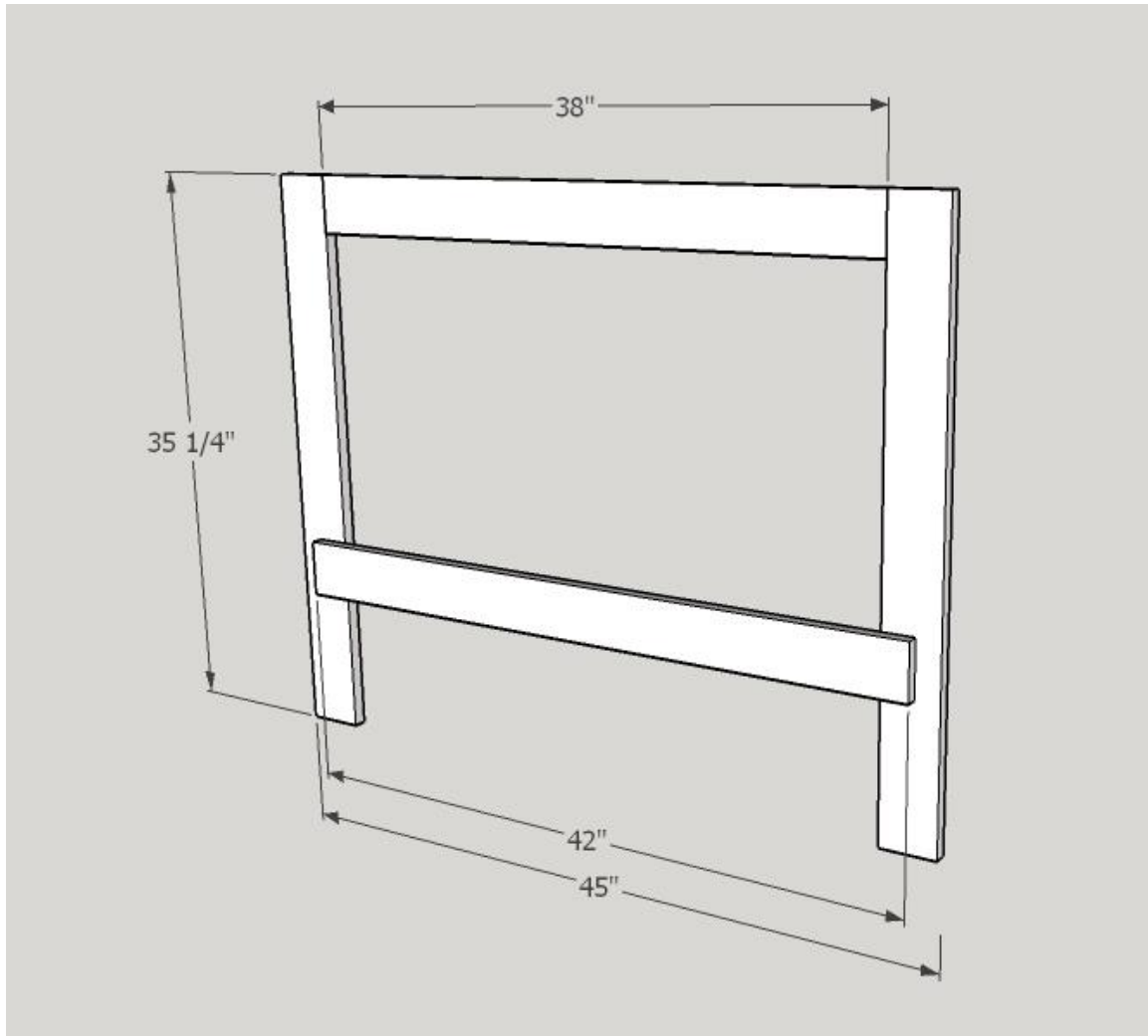


andrew harris woodwork

Step 2– Make the front and back frames

Use the following pieces of 1 by 4 to make the front and back frames. Two pieces measuring 35 ¼ inches long, one piece 38 inches long, one piece 42 inches long.

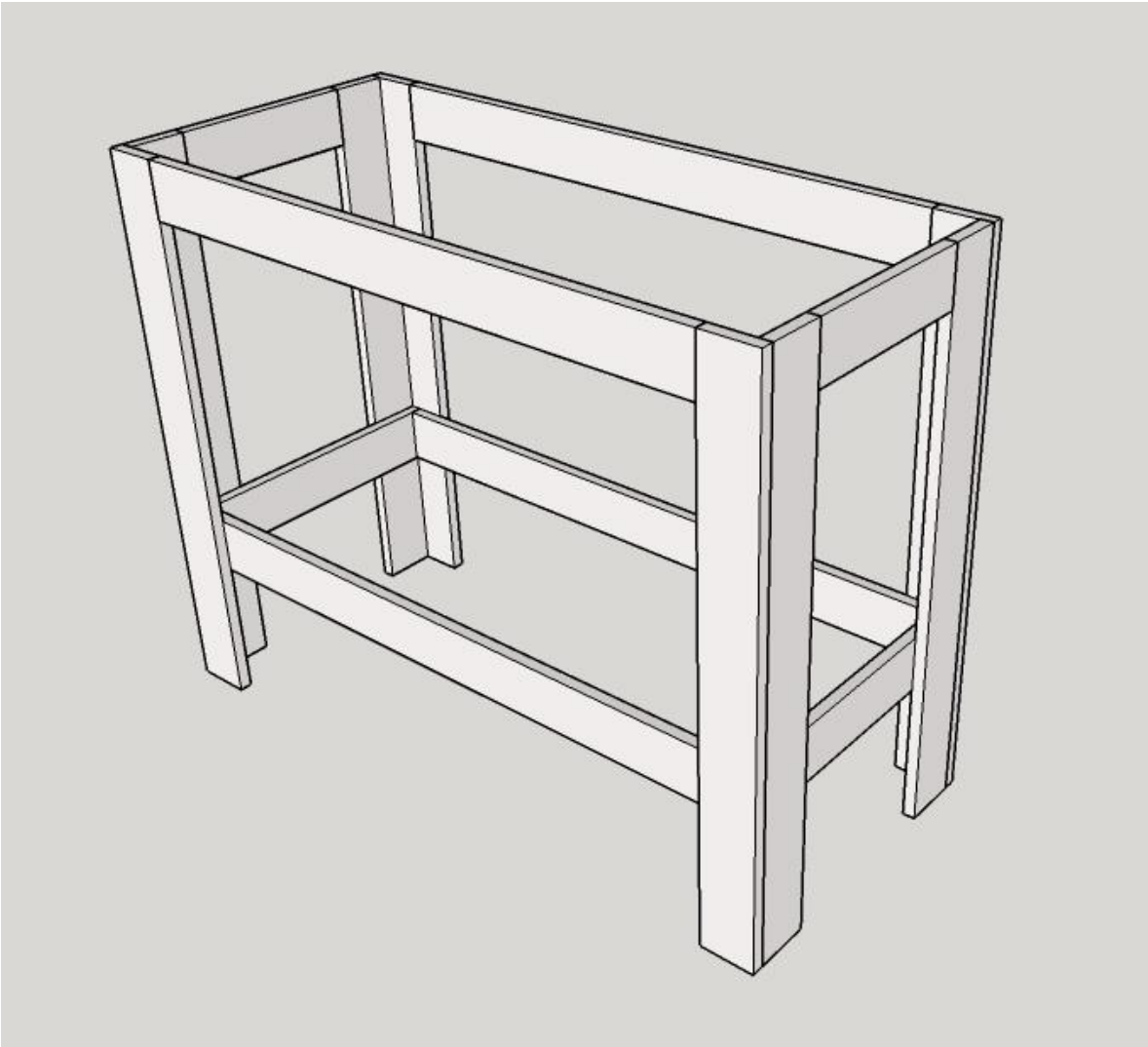
Put the pocket holes on the short edges of the 38 inch piece. The 42 inch piece will be fixed using 1 ¼ inch wood screws. Screw through the 42 inch piece in to the legs to make sure the screw head is hidden once the table is assembled.



andrew harris woodwork

Step 3– Join the sides and front and back together

Join the sides and front and back frames together as shown below. This is why the pocket holes were put on the outer edges of the inside of the sides.



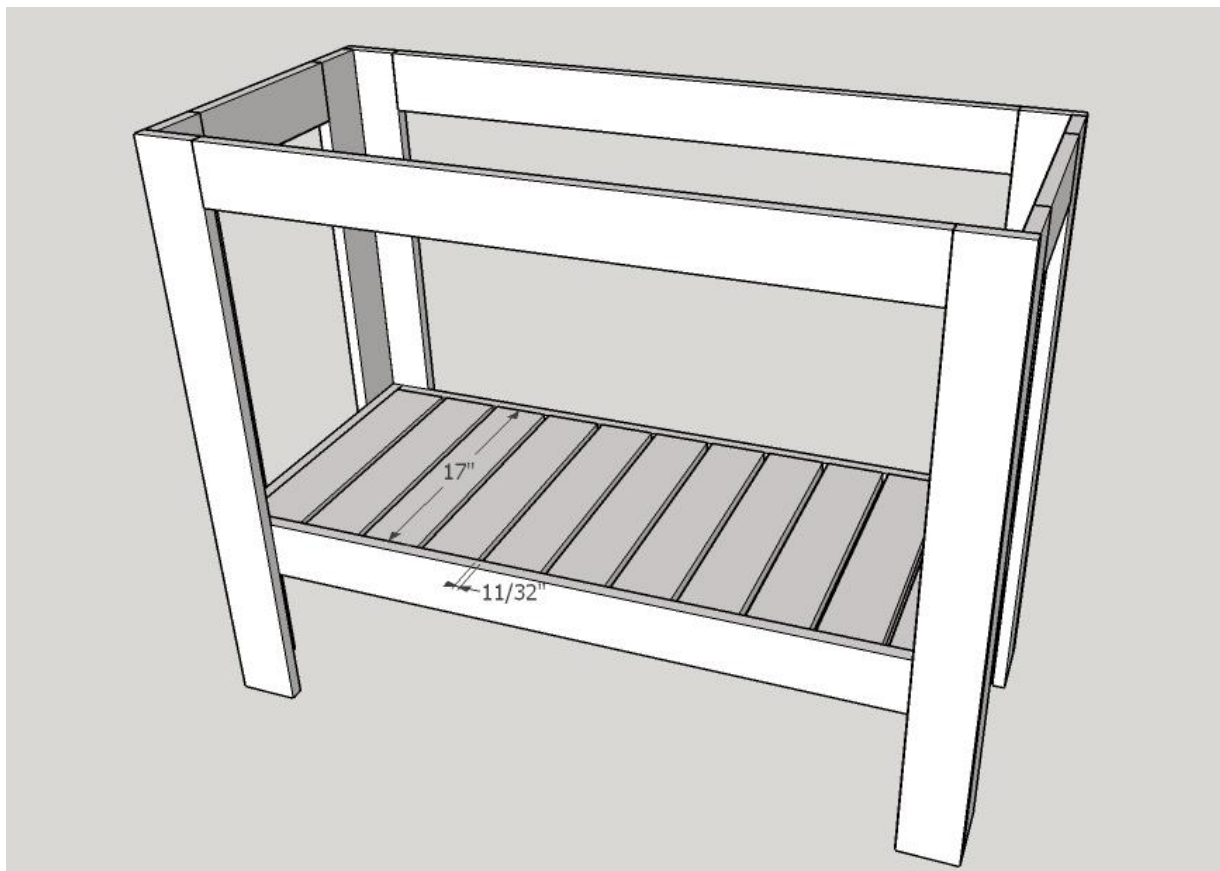
andrew harris woodwork

Step 4 – Add the shelf pieces

Add the 17 inch long pieces of 1 by 4 as the shelf supports.

Drill pocket holes on both ends of each 17 inch piece and attach them flush with the top edge of the bottom rail.

Check the exact dimensions of your boards as they may not be exactly 3.5 inches wide. For mine I worked out the spacing between each board had to be $11/32$ inches. It helps to cut a spacer from scrap wood to use.

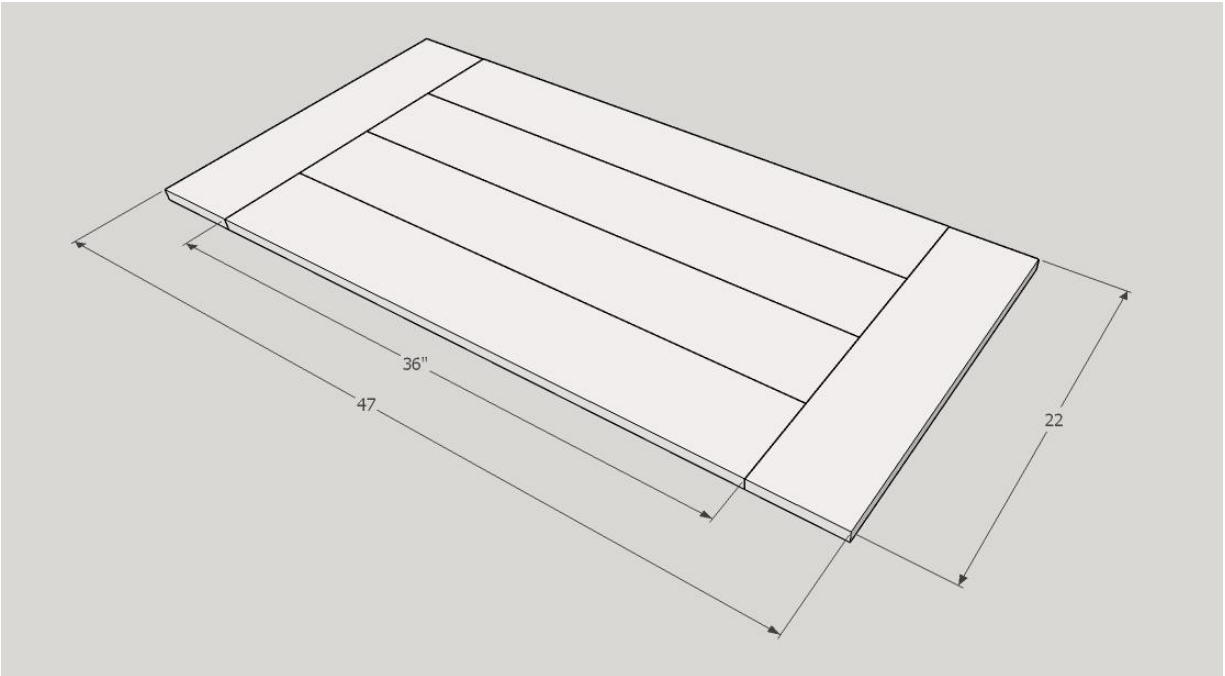


andrew harris woodwork

Step 5 - Make the top

Make the top from the 1 by 6 pieces as shown below.

Tip : If using Cedar then I have found the 1 by 6 boards are actually smaller than the actual width of 5.5 inches advertised. Attach the four 36 inch long pieces together first and then cut the two end pieces exactly to the size required.

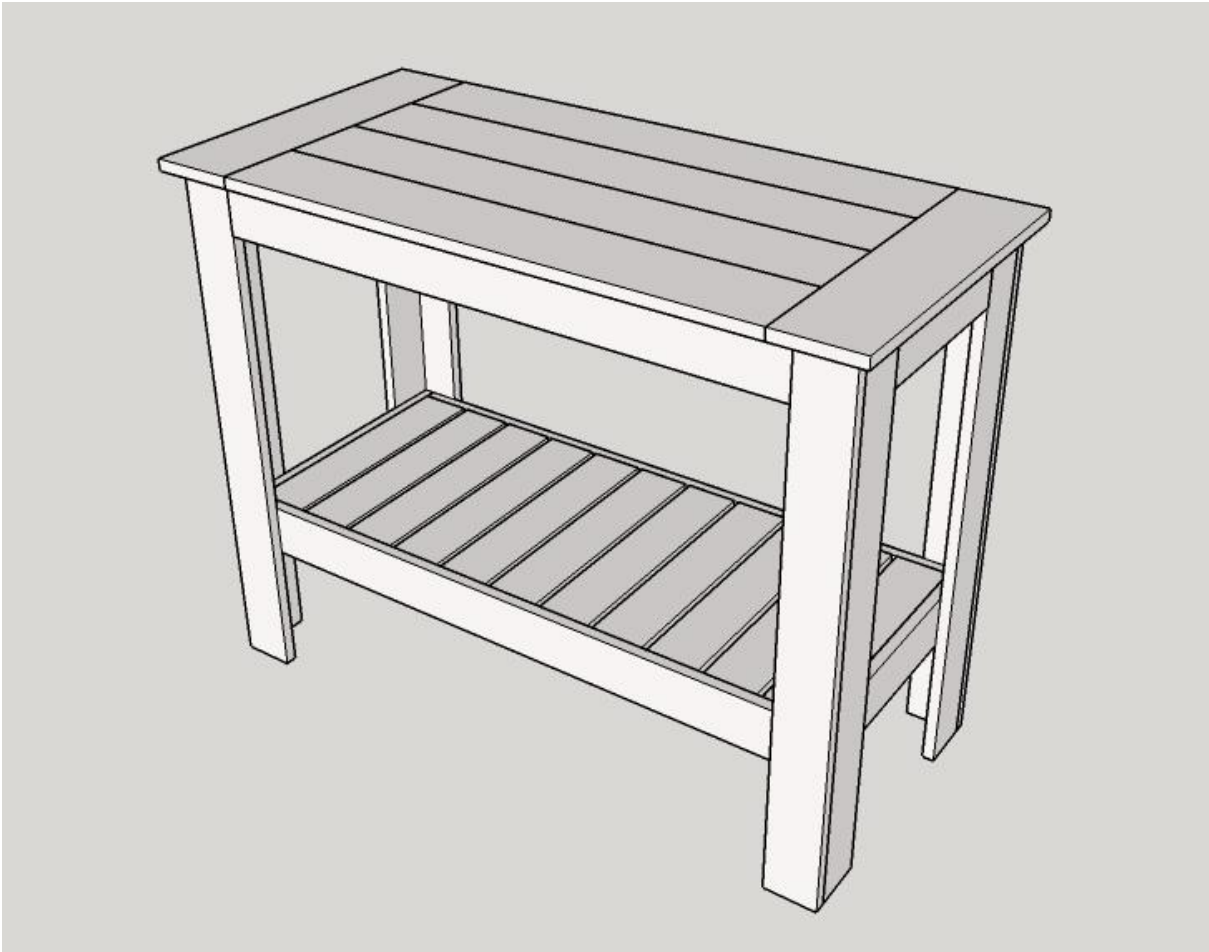


andrew harris woodwork

Step 6 – Fit the top

Drill pocket holes facing upwards all the way around the top of the frame.

Place the top with the good side down and then place the upturned frame on top. Make sure you have equal gap all around and then fix the sides and back with 1 ¼ inch pocket hole screws.



Step 7 – Finish

Sand well to smooth our joints and remove any wood glue residue.

Finish with stain and protector suitable for outdoors or just a clear protector suitable for outdoors as desired.