

andrew harris woodwork

Sliding Cupboard Storage



andrew harris woodwork

Introduction

I have tried to ensure all steps are covered in these plans but if you find any errors in the plans or have a question then please email me at info@andrewharriswoodwork.com to let me know.

All my builds are made with pocket hole joinery. You will need a pocket hole jig tool such as a Kreg Pocket Hole Jig in order to build them.

Shopping List

| Size | Length | Quantity |
|----------------|--------|----------|
| 1 by 2 | 6 feet | 1 |
| 1 by 3 | 6 feet | 1 |
| Drawer Slides | | |
| ¼ inch plywood | | |

You will also need:

- Pocket Hole Tool such as a Kreg Pocket Hole Jig
- 1.25 inch pocket screws and
- Miter saw
- Wood glue

Estimated Material Cost: \$20

andrew harris woodwork

Cut list

Please read all instructions before cutting wood as shown below. I suggest some pieces are cut as you go to ensure a tight fit.

| Size | Length (inches) | Quantity | Used For |
|--------|----------------------------------|----------|---|
| 1 by 2 | Depends on cabinet depth | 2 | Inserts for side of cabinet to fix drawer slides to |
| 1 by 3 | Depends on cabinet opening width | 2 | For front and back sides of drawer |
| 1 by 3 | Depends on cabinet depth | 2 | For sides of drawer |

andrew harris woodwork

Step 1 – Measure for the cupboard opening and depth for drawer

Measure the opening of your cupboard.

The drawer slides I used needed exactly half an inch of space each side to allow them to slide in and out freely.

This means if your cupboard opening is 17.75 inches then your drawer will need to be a total of 16.75 inches wide.

Measure the Depth of your cupboard from the back edge of the face frame to the back panel. This will be the maximum size of drawer slide you can use (but I recommend using something around 1 inch or so less (or as close to that as possible)

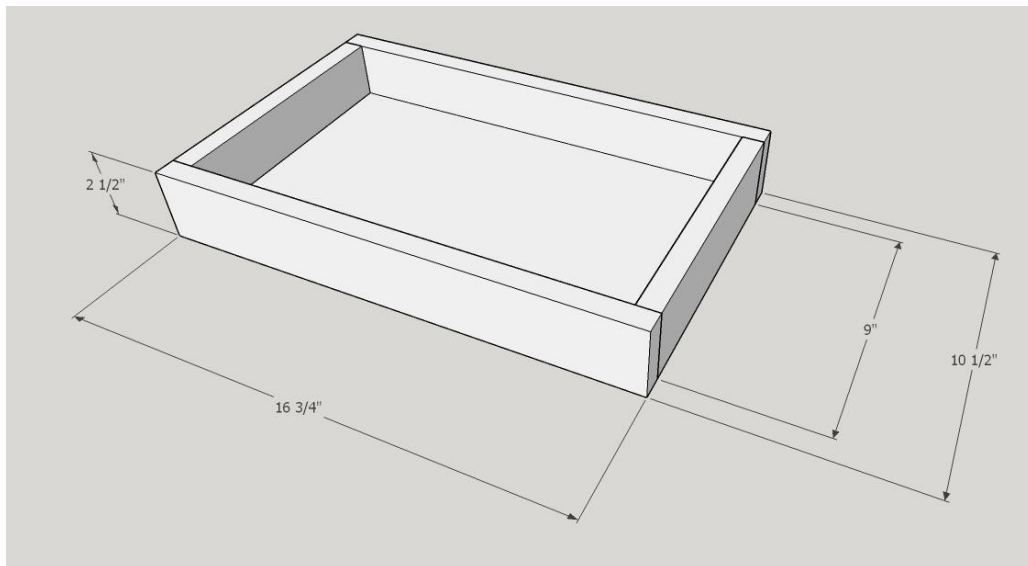
Our cupboards were only 11.5 inches deep and so I used some 10 inch drawer slides I found on amazon.com

Step 2 – Make the drawer

If you are using wood that has an actual width of $\frac{3}{4}$ inch and you opening is 17.75 inches for example, then you will need to cut two pieces 16.75 inches long to use as the back and front of the drawer.

Cut the other two pieces to match the depth of the drawer you want to make. Mine was 10.5 inches total depth so the two side pieces were 9 inches long.

Tip : I put the pocket holes in the inside so that they cannot be seen on the outside and the contents of the drawer will actually help to hide them.



andrew harris woodwork

Step 3 – Fit bottom panel

I routed the sides with a $\frac{1}{4}$ inch slot about $\frac{1}{4}$ inch from the bottom of the sides and inserted the base before adding the last piece of the drawer. You could just cut your plywood to size though and then nail and glue to the bottom of the drawer.

Step 4 – Fit drawer slides to drawer

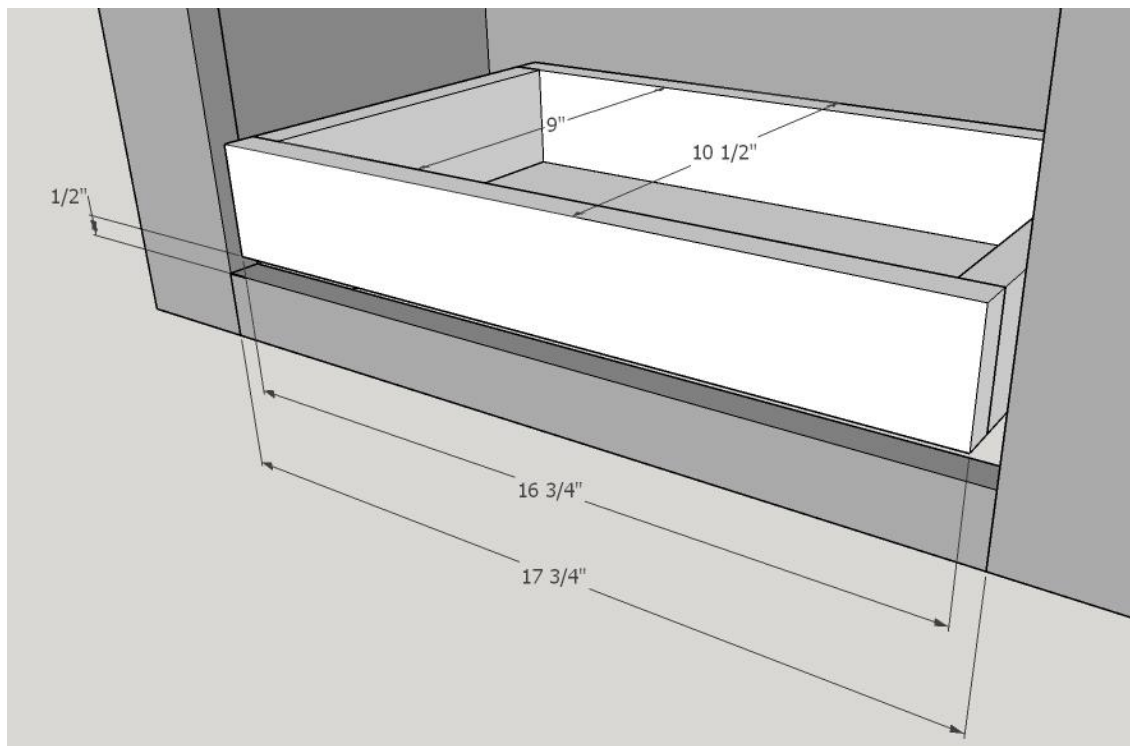
Fit the drawer slides to the drawer following the manufacturer instructions.

Step 5 – Attach guides for the drawer slides

Use the 1 by 2 pieces inside the cabinet to work as guides for the drawer slides. Make them flush with the inside edges of the cabinet and make sure they are perfectly square from the front edge.

To make sure they are exactly the right width at the back as well I find it useful to cut a scrap piece of wood that fits tight between them at the front and then once one is fixed exactly square at the back, use the scrap wood as a guide to fix the other one.

Usually you need to make sure that the drawer slide will attach to the support it allowing about half an inch below the bottom of the drawer and the



andrew harris woodwork

Step 6 – Finish

Sand well to smooth out the joints and remove any wood glue residue.

If staining then apply Pre stain and your choice of stain or paint as desired.